

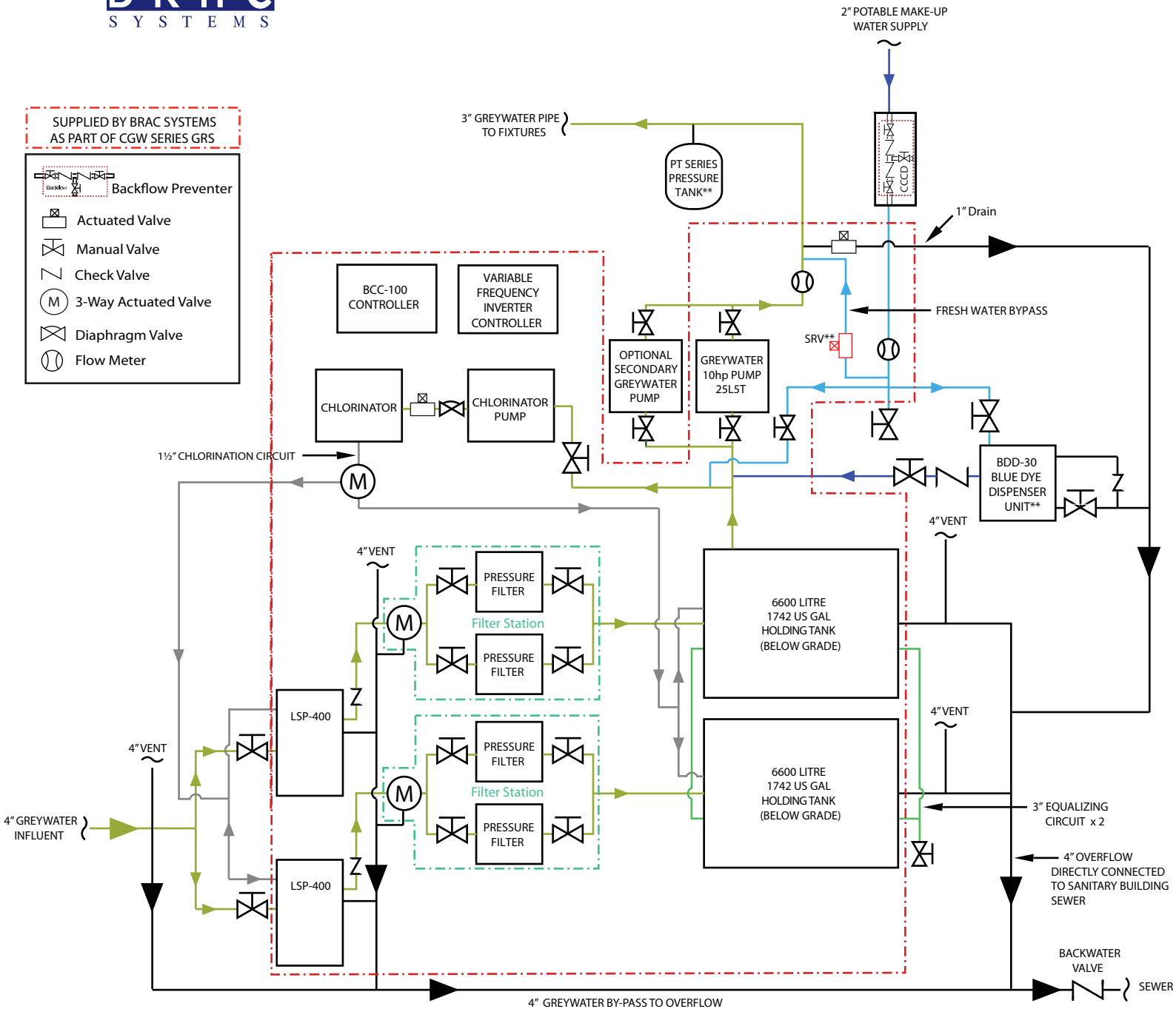


The solution for water shortages

Data Sheet: CGW-13200 Plumbing Schematic

SUPPLIED BY BRAC SYSTEMS AS PART OF CGW SERIES GRS

- Backflow Preventer
- Actuated Valve
- Manual Valve
- Check Valve
- 3-Way Actuated Valve
- Diaphragm Valve
- Flow Meter



** Shown with optional BDD-30 Blue Dye Dispenser and PT Series Pressure Tank. Optional SRV Spring Return Valve replacing actuated valve.

Pump Station

- Chlorinator diversion outlets 1½"
- Drain outlet 1"
- Freshwater inlet 2"
- Greywater inlet 3"
- Greywater outlet 3"

Holding Tanks

- Greywater inlet 4"
- Greywater outlet 4"
- Equalizing circuit 3"
- Chlorination inlet 1½"

LSP-400

- Greywater inlet 4"
- Greywater outlet 2"
- Overflow 4"
- Chlorination inlet 1½"

Filter Station

- Greywater Inlet 2"
- Greywater outlet 2"
- By-pass diversion outlet 2"

The content of this Data Sheet is based upon the latest information available at the time of printing and is aimed at providing a general introduction to Brac Systems products. No warranty or representation is hereby made by Brac Systems as to the accuracy of said information. Brac Systems is continually updating and improving its products and reserves the right to amend, discontinue, alter or change specifications without prior notice. Always consult your local authority regarding plumbing codes for your area.

Brac Systems Inc.

Distributed by: **Eco-Smart, Inc.**

TOLL FREE:(888)329-2705 FAX:(941)377-9460 info@eco-smart.com www.eco-smart.com