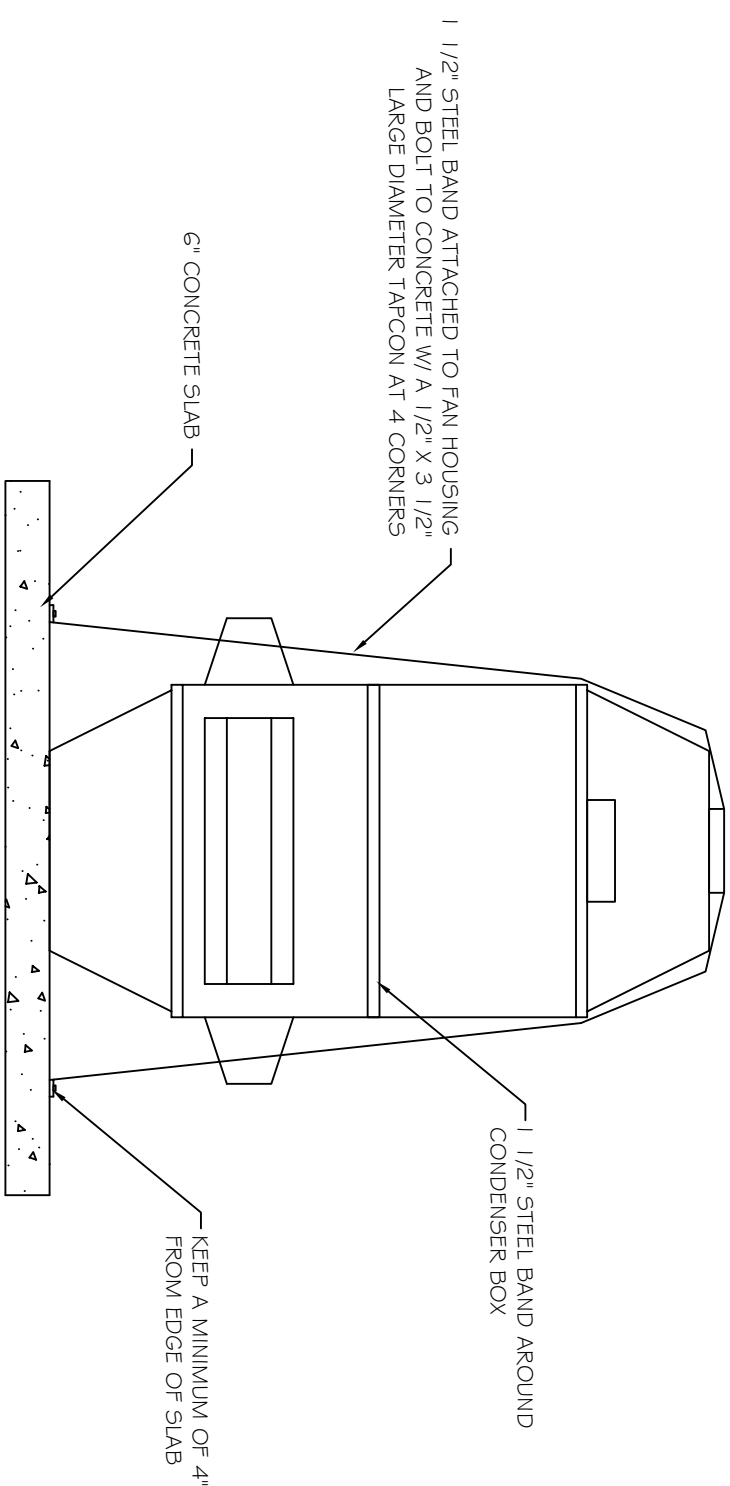
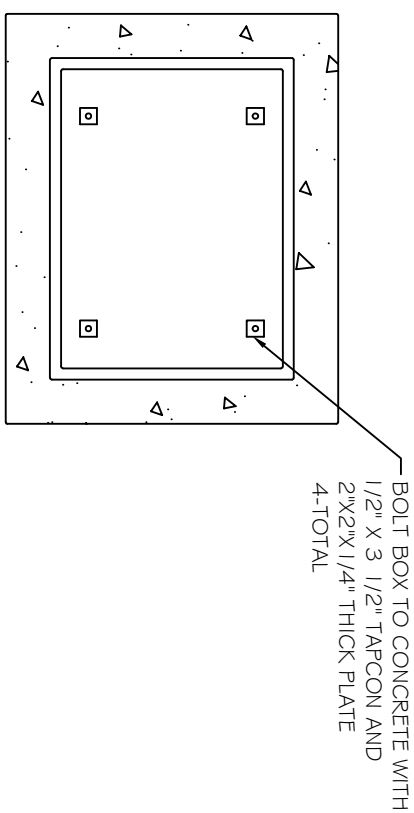


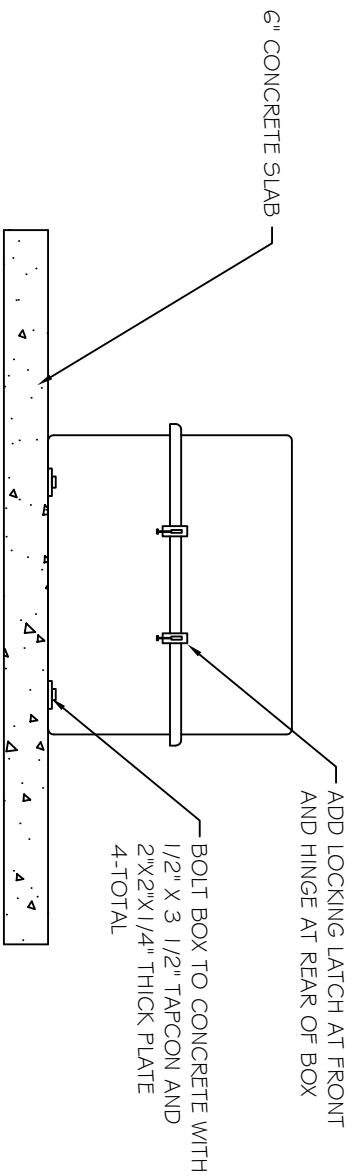
CONDENSER TOP VIEW



CONDENSER



DUAL COMPRESSOR TOP VIEW



DUAL COMPRESSOR BOX

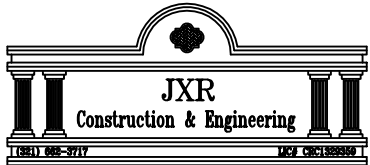
THIS STRUCTURE HAS BEEN DESIGN TO MEET THE WIND LOAD REQUIREMENTS OF SECTION R301.2.1.1 OF THE FLORIDA BUILDING CODE 2007 EDITION - RESIDENTIAL AND ASCE 7-02, WITH 2009 REVISIONS

1. BASIC WIND SPEED - 140MPH (3 SEC. GUST)
2. WIND IMPORTAN FACTOR 1.0
3. WIND EXPOSURE - CATEGORY B

REVISIONS

THERMAL FLOW
EQUIPMENT TIE-DOWN

Davis & Cleaton
Engineering, Inc.
601 North Orlando Avenue
Suite 112
Maitland, FL 32751
(407)-539-2553 Lic# 35816



drawn by
J.RODRIGUEZ
checked by
J.R.
date
10-10-08
scale
1/2"=1'-0"
job no.

drawing no.
S-1