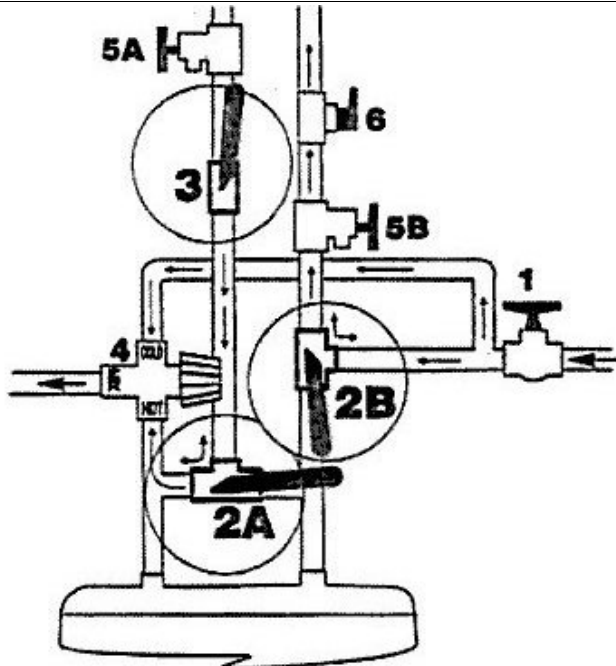


PROGRESSIVTUBE® SRCC OG 300 3-WAY SYSTEM

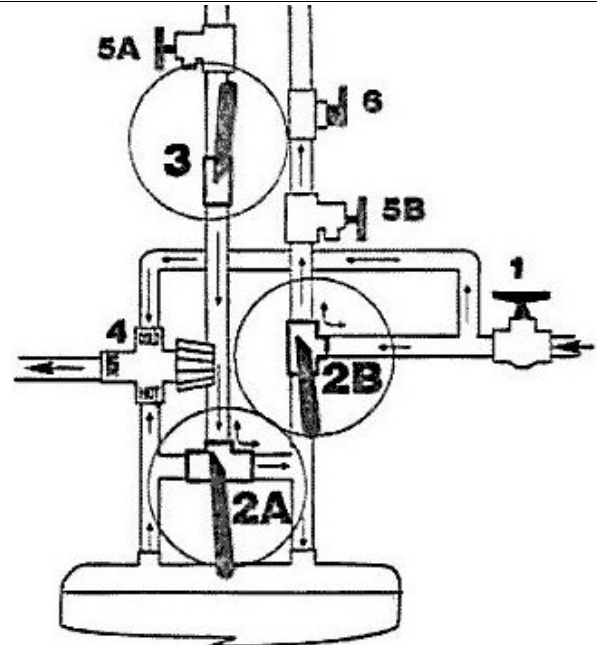
LEGEND

- | | |
|----------------------------------|-----------------------------------|
| 1. Existing cold water shut off. | 4. Aquamix Anti-Scald Valve |
| 2. 3-way Ball Valve: Bronze | 5. Boiler Drains: Bronze |
| 3. 2-way Ball Valve: Bronze | 6. Pressure Relief Valve: 150 psi |



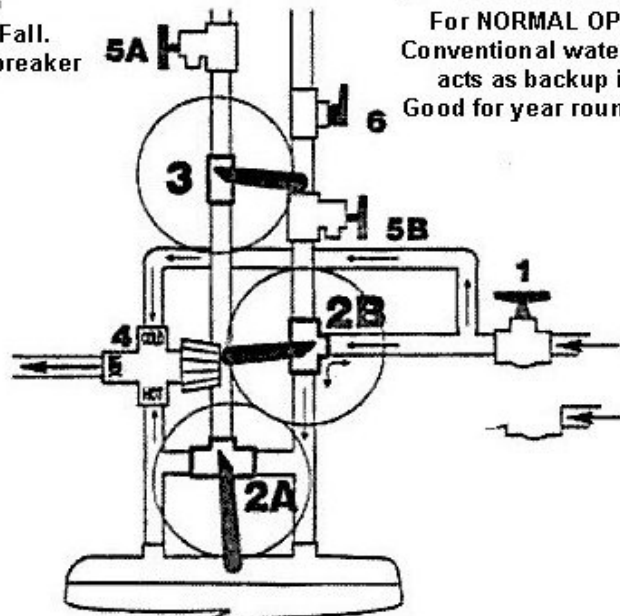
A - SOLAR DIRECT

Use **ONLY** during Spring through Fall.
For **MAXIMUM SAVINGS** shut off breaker
to electric water heater.



B - SOLAR PRE-HEAT

For **NORMAL OPERATION** -
Conventional water heater also
acts as backup if needed.
Good for year round operation.



C - SOLAR BY-PASS

For severe winter operation -
or other reasons for **COMPLETE**
SOLAR SHUTDOWN

TC1010995

