



**BUILDING CODE COMPLIANCE OFFICE (BCCO)
PRODUCT CONTROL DIVISION**

**MIAMI-DADE COUNTY, FLORIDA
METRO-DADE FLAGLER BUILDING
140 WEST FLAGLER STREET, SUITE 1603
MIAMI, FLORIDA 33130-1563
(305) 375-2901 FAX (305) 375-2908**

NOTICE OF ACCEPTANCE (NOA)

**Re-New Wood, Inc.
P.O. Box 1093
Wagoner, OK. 74467**

SCOPE: This NOA is being issued under the applicable rules and regulations governing the use of construction materials. The documentation submitted has been reviewed by the BCCO and accepted by the Building Code and Product Review Committee to be used in Miami Dade County and other areas where allowed by the Authority Having Jurisdiction (AHJ).

This NOA shall not be valid after the expiration date stated below. The Miami-Dade County Product Control Division (In Miami Dade County) and/or the AHJ (in areas other than Miami Dade County) reserve the right to have this product or material tested for quality assurance purposes. If this product or material fails to perform in the accepted manner, the manufacturer will incur the expense of such testing and the AHJ may immediately revoke, modify, or suspend the use of such product or material within their jurisdiction. BORA reserves the right to revoke this acceptance, if it is determined by Miami-Dade County Product Control Division that this product or material fails to meet the requirements of the applicable building code.

This product is approved as described herein, and has been designed to comply with the Florida Building Code, including the High Velocity Hurricane Zone.

DESCRIPTION: Eco-Shake™

LABELING: Each unit shall bear a permanent label with the manufacturer's name or logo, city, state and following statement: "Miami-Dade County Product Control Approved", unless otherwise noted herein.

RENEWAL of this NOA shall be considered after a renewal application has been filed and there has been no change in the applicable building code negatively affecting the performance of this product.

TERMINATION of this NOA will occur after the expiration date or if there has been a revision or change in the materials, use, and/or manufacture of the product or process. Misuse of this NOA as an endorsement of any product, for sales, advertising or any other purposes shall automatically terminate this NOA. Failure to comply with any section of this NOA shall be cause for termination and removal of NOA.

ADVERTISEMENT: The NOA number preceded by the words Miami-Dade County, Florida, and followed by the expiration date may be displayed in advertising literature. If any portion of the NOA is displayed, then it shall be done in its entirety.

INSPECTION: A copy of this entire NOA shall be provided to the user by the manufacturer or its distributors and shall be available for inspection at the job site at the request of the Building Official.

This new NOA consists of pages 1 through 6.
The submitted documentation was reviewed by Alex Tigera.



**NOA No. 06-0306.08
Expiration Date: 08/24/11
Approval Date: 08/24/06
Page 1 of 6**

ROOFING ASSEMBLY APPROVAL

Category: Roofing
Sub-Category: Shingle
Materials: Composite
Deck Type: Wood

TRADE NAMES OF PRODUCTS MANUFACTURED OR LABELED BY APPLICANT:

<u>Product</u>	<u>Dimensions</u>	<u>Test Specifications</u>	<u>Product Description</u>
Eco-Shake™	22" long 5", 7" & 12" width 5/32" thick	TAS 110	Shake looking composite shingle.

EVIDENCE SUBMITTED:

<u>Test Agency</u>	<u>Test Identifier</u>	<u>Test Name/Report</u>	<u>Date</u>
PRI Asphalt Technologies	BRY-039-02-01	TAS 100	04/11/05
PRI Asphalt Technologies	BRY-041-02-01	ASTM G 26	02/01/06
Underwriters Laboratories	03NK30512	ASTM E 108	12/18/03
Underwriters Laboratories, Inc.	05NK09040	TAS-107	04/20/05
Intertek ETL SEMKO	3094467SAT-001	ASTM D2843-99	05/02/06
Intertek ETL SEMKO	3094467SAT-002	ASTM D1929-96	05/02/06
Intertek ETL SEMKO	3094467SAT-003	ASTM D635-03	05/02/06



APPROVED SYSTEMS:

Deck Type: Wood, Non-insulated

Deck Description: $1^{9/32}$ " or greater plywood or wood plank.

Slope Range: 3:12 or greater

Maximum Uplift

Pressure: The maximum allowable uplift pressure shall be **-110 psf**.

Deck Attachment: In accordance with applicable Building Code, but in no case shall it be less than #8 x 2" wood screws spaced 6" o.c. In reroofing, where the deck is less than $1^{9/32}$ " thick (Minimum $1^{5/32}$ ") The above attachment method must be in addition to existing attachment.

Underlayment: Minimum underlayment shall be an ASTM D 226 Type II installed with a minimum 4" side-lap and 6" end-laps. Underlayment shall be fastened with corrosion resistant tin-caps and 12 gauge 1 1/4" annular ring-shank nails, spaced 6" o.c. at all laps and two staggered rows 12" o.c. in the field of the roll. Or any approved underlayment with a current NOA.

Valleys: Valley construction shall be in compliance with Roofing Application Standard RAS 133 and with manufacturers current published installation instructions.

Fire Barrier Board: Any approved Fire Barrier having a current NOA. Or for class A or B fire rating, install minimum 1/4" thick Georgia Pacific "Dens Deck" (with current NOA) or minimum 4mm thick of Tritex, RockRoof (with current NOA) or $5/8$ " water resistant type X gypsum sheathing with treated core and facer.

Starter: Install required starter over the eave and rake 1". The starter course is set in an 8" wide 1/8" thick bed of asphalt cement and fastened to the deck with 11ga 1-1/2" x 3/8" galvanized annular ring shank nails placed 2" from the eave edge and 1" from each side. The first course is to be adhered to the starter course with a 1/2" continuous bead of Geocel 2300 in addition to the nailing pattern described below. Nails shall be of sufficient length to penetrate sheathing $3/16$ ".

Application: Eco-Shake shingles shall have a maximum 10" exposure (see Detail 'B'). Eko-Shake shall be fastened with a minimum of three corrosion resistant ring shank nails at the locations shown in Detail 'A'. Nails shall be of sufficient length to penetrate through the sheathing a minimum of $3/16$ ".



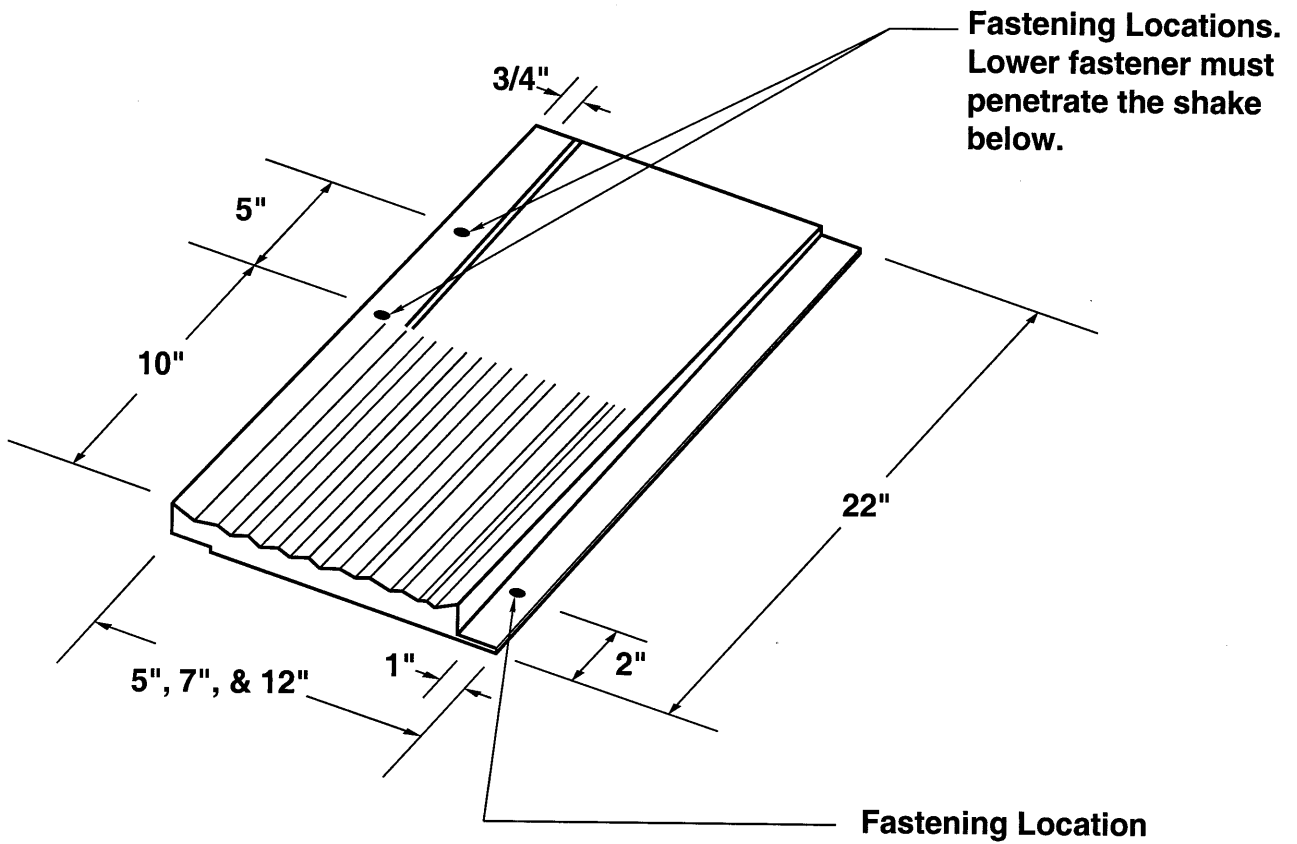
GENERAL LIMITATIONS:

1. Fire classification is not part of this acceptance; refer to a current Approved Roofing Materials Directory for fire ratings of this product.
2. The maximum designed pressure limitation listed shall be applicable to all roof pressure zones (i.e. field, perimeters, and corners). Neither rational analysis, nor extrapolation shall be permitted for enhanced fastening at enhanced pressure zones (i.e. perimeters, extended corners and corners).
3. All panels and clips shall be permanently labeled with the manufacturer's name or logo, city, state and the following statement: "Miami Dade County Product Control Approved".
4. All products listed herein shall have a quality assurance audit in accordance with the Florida Building Code and Rule 9B-72 of the Florida Administrative Code.



DRAWINGS

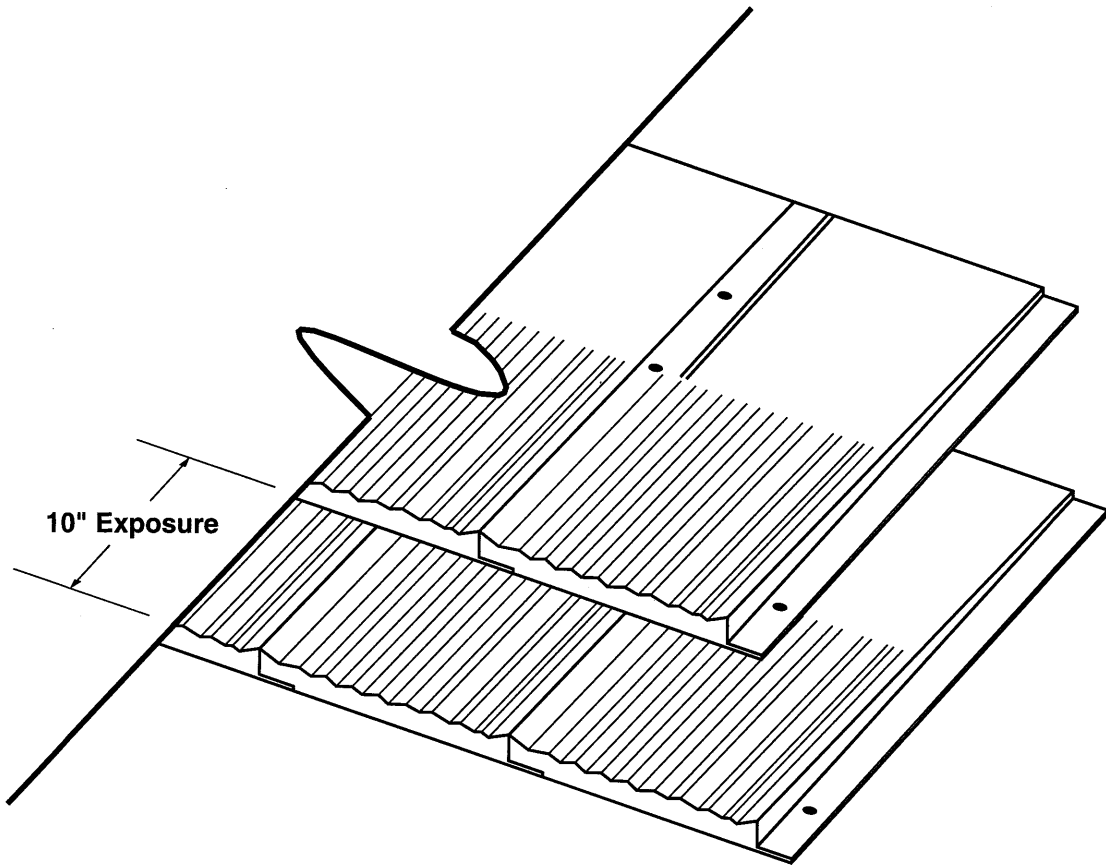
DETAIL 'A'



EKO-SHAKE



DETAIL 'B'



END OF THIS ACCEPTANCE



NOA No. 06-0306.08
Expiration Date: 08/24/11
Approval Date: 08/24/06
Page 6 of 6