

# CUSTOM BULB LIGHTING INSTALLATION INSTRUCTIONS



## IMPORTANT SAFEGUARDS:

Read and Follow all safety instructions before Installation!  
Save these instructions and deliver to owner after installation.

**WARNING: RISK OF FIRE OR ELECTRIC SHOCK.** Installation of this retrofit assembly requires a person familiar with the construction and operation of the luminaire's electrical system and the hazard involved. If not qualified, do not attempt installation. Contact a qualified electrician.

**WARNING:** Failure to install this product in accordance with the National Electric Code (NEC), or the Canadian Electric Code (CSA 22.1), and all applicable Federal, State and Local electric codes, as well as UL safety standards for installation may cause unsafe situations that can lead to serious personal injury, death, property damage and/or product malfunction.

**WARNING:** Installation must be structurally sound to prevent damage or injury due to fixture collapse.

**WARNING:** Risk of fire or electric shock. Install this light bulb only in the luminaires that has the construction features and dimensions shown in the photographs and/or drawings, and that are designated as compatible

**WARNING:** Caution should be used when handling during or after operation as it may become hot and cause burns. Disconnect power and allow to cool before installing or servicing.

**WARNING: RISK OF FIRE OR ELECTRIC SHOCK.** Not for direct replacement of lamps. Use only with power supply supplied by Noribachi. **Note: Some power supplies have adjustable currents. Only use the power supplies that have been set at Noribachi factory.**

**WARNING:** Do not alter, relocate, or remove any electrical components

**WARNING: RISK OF FIRE OR ELECTRIC SHOCK.** Unless otherwise indicated, do not make or alter any openings in the compartment of wiring or electrical components during installation of this retrofit assembly. Plug all unused openings in the compartment of wiring or electrical components.

**WARNING:** Only those open holes indicated in the photographs and/or drawings may be made or altered as a result of kit installation. Do not leave any other open holes in an enclosure of wiring or electrical components.

**WARNING:** To prevent wiring damage or abrasion, do not expose wiring to edges of sheet metal or other sharp objects.

**WARNING:** Shock and Fire Hazard, do not use when enclosure is broken.

**WARNING:** This product must be properly grounded to prevent product malfunction.

**IMPORTANT:** THE RETROFIT ASSEMBLY IS ACCEPTED AS A COMPONENT OF A LUMINAIRE WHERE THE SUITABILITY OF THE COMBINATION SHALL BE DETERMINED BY CSA OR AUTHORITIES HAVING JURISDICTION/LE NÉCESSAIRE DE MODERNISATION EST ACCEPTÉ EN TANT QUE COMPOSANT D'UN LUMINAIRE FLUORESCENT, SOUS RÉSERVE



**IMPORTANT:** Mark means lamp contains mercury. Follow disposal laws of the replaced bulb, such as Mercury Vapor and High or Low Pressure Sodium, at [www.lamprecycle.org](http://www.lamprecycle.org).

# CUSTOM BULB LIGHTING INSTALLATION INSTRUCTIONS

**HOUSING COMPATIBILITY:** Please ensure that your fixture meets the minimum dimension requirements for the light bulb.

BULB	MINIMUM LENGTH	MINIMUM WIDTH	MINIMUM DEPTH	MINIMUM DISTANCE BETWEEN INSIDE EDGE OF FIXTURE
LIN.18	7.5 inches	4 inches	2.5 inches	N/A
LIN.24//1	7.5 inches	5 inches	2.5 inches	N/A
LIN.24//2	30 inches	2 inches	2.5 inches	N/A
LIN.24//3	2.75 inches	2.75 inches	9.5 inches	N/A
LIN.30	7.5 inches	6 inches	2.5 inches	N/A
LIN.36	7.5 inches	7 inches	2.5 inches	N/A
LIN.42	8 inches	7.5 inches	2.5 inches	N/A
LIN.48	9 inches	7.5 inches	2.5 inches	N/A
LIN.54	10 inches	7.5 inches	2.5 inches	N/A
LIN.60	11 inches	7.5 inches	2.5 inches	N/A
LIN.72	13 inches	7.5 inches	2.5 inches	N/A
LIN.84	15 inches	8 inches	2.5 inches	N/A
LIN.96	15 inches	9 inches	2.5 inches	N/A
LIN.120	15 inches	13 inches	2.5 inches	N/A
LIN.144	15 inches	13 inches	2.5 inches	N/A
LIN.180	16 inches	15 inches	2.5 inches	N/A
LIN.216	19 inches	15 inches	2.5 inches	N/A
HEX.21	6 inches	3 inches	2 inches	9 inches
HEX.42	9 inches	3 inches	2 inches	9 inches
HEX.63	9 inches	3 inches	2 inches	9 inches
HEX.84	9 inches	3 inches	2 inches	9 inches
HEX.105	9 inches	3 inches	2 inches	9 inches
HEX.126	11.5 inches	13 inches	2.5 inches	N/A
HEX.168	9 inches	3 - 6 inches	2 - 4 inches	13 inches
HEX.252	9 inches	3 - 6 inches	2 - 4 inches	18 inches

# CUSTOM BULB LIGHTING INSTALLATION INSTRUCTIONS

## TOOLS REQUIRED:

- Flat and Phillips Head Screw Drivers
- Pliers
- Wire Strippers
- Wire Connectors
- 4 Mounting Screws

## MAY BE USEFUL

- Tapping Screws
- Fasteners (screws, washers, nuts ect...)
- Drill
- Lift/ladder



**CAUTION:** INSTALLATION OF THIS RETROFIT ASSEMBLY RE-QUIRES A PERSON FAMILIAR WITH THE CONSTRUCTION AND OPERATION OF LUMINAIRE ELECTRICAL SYSTEMS AND THE HAZARD INVOLVED/CONFIER L'INSTALLATION DE CE NÉCESSAIRE DE MODERNISATION A UNE PERSONNE CONNAISSANT LA CONSTRUCTION ET LE FONCTIONNEMENT DES INSTALLATIONS D'ÉCLAIRAGE ET CONSCIENTE DES RISQUES QU'ELLES COM-PORTENT

# BOLLARD LIGHTING INSTALLATION INSTRUCTIONS

## READ AND FOLLOW ALL INSTALLATION INSTRUCTIONS

### STEP 1: Disconnect Power

- Disconnect AC power from fixture during installation and maintenance.

### STEP 2: Remove the diffuser from the fixture housing. Remove the existing electrical components (Figure 1) from the diffuser, including:

- Light bulb - see page 12
- Lamp base - see page 12
- Ballast - see page 12
- Capacitor - see page 12

### STEP 3: Attach the LED driver to the diffuser.

- Due to different types of bollards, the driver is installed various ways. It may be screwed into the metal part of the diffuser or secured by a bracket (Figure 2).

### STEP 4: Screw the light bulb into the middle of the diffuser (Figure 3).

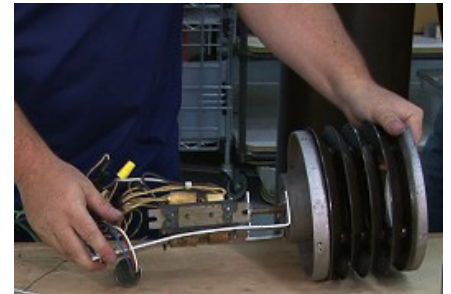


FIGURE 1: Removing electrical components from diffuser.



FIGURE 2: Installing the LED driver onto the diffuser.



FIGURE 3: Installing light bulb into the diffuser.



FIGURE 4: Reinstalling bulb into the diffuser.

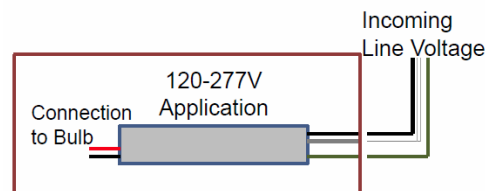
**CAUTION:** UNLESS OTHERWISE INDICATED, DO NOT MAKE OR ALTER ANY OPENINGS IN THE COMPARTMENT OF WIRING OR ELECTRICAL COMPONENTS DURING INSTALLATION OF THIS RETROFIT ASSEMBLY. PLUG ALL UNUSED OPENINGS IN THE COMPARTMENT OF WIRING OR ELECTRICAL COMPONENTS/A MOINS D'INDICATION CONTRAIRE, NE PAS PRATIQUER NI MODIFIER DES OUVERTURES DANS LES COMPARTIMENTS CONTENANT DES CABLES OU DES COMPOSANTS ÉLECTRIQUES LORS DE L'INSTALLATION DE CE NÉCESSAIRE DE MODERNISATION. BOUCHER TOUTES LES OUVERTURES LIBRES DES COMPARTIMENTS CONTENANT DES CABLES OU DES COMPOSANTS ÉLECTRIQUES



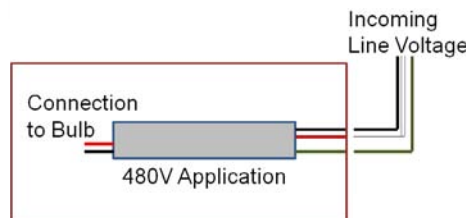
### STEP 5: Connect the LED driver wires to the light bulb wires as follows:

- Connect the black wire from the light bulb to the black wire on the LED driver.
- Connect the red wire from the light bulb to the grey wire on the LED driver.

### STEP 6: Using the diagram to the right, make the line voltage connections between the LED driver and the power source.



### STEP 7: Return the diffuser to the bollard fixture housing (Figure 4).



### STEP 8: Check all power connections.

### STEP 9: Re-energize fixture.

# HIGH/LOW BAY LIGHTING INSTALLATION INSTRUCTIONS

## READ AND FOLLOW ALL INSTALLATION INSTRUCTIONS

### STEP 1: Disconnect Power

- Disconnect AC power from fixture during installation and maintenance.

### STEP 2: Remove fixture from its location

### STEP 3: Unscrew the outer plates of the enclosure to access the electrical components (Figure 1). Remove the following from the light fixture:

- Light bulb - see page 12
- Lamp base - see page 12
- Transformer - see page 12
- Capacitor - see page 12 (Keep the bracket and screws that hold the capacitor in place for driver installation).

### STEP 4: Install driver into the enclosure of the fixture housing. Secure the driver by using the same bracket that held the capacitor (Figure 2).

- If the driver does not fit into the enclosure it will be pre-installed at the manufacturing warehouse.

### STEP 5: Unscrew the pre-attached mounting plate from the All Thread Lamp Pipe in the back of the LED bulb. Attach it to the top of the reflector with metal screws (Figure 3 & 4).

- Depending on the fixture, it may be necessary to drill into the reflector.

### STEP 6: Position bulb in reflector and reattach the bulb to the mounting plate. Route the wires from the bulb to the driver.

- Route the wires through the present mounting plate hole and then the fixture hole, or to the side of the enclosure (Figure 5 & 6).
- Keep wires from the two sides of the bulb apart to make the appropriate connection in step 7.
- The light bulb may or may not fit completely up against the mounting plate.



FIGURE 1: Unscrewing the outer plate of the enclosure.



FIGURE 2: Inserting the drivers into the enclosure.



FIGURE 3&4: Removing the mounting plate from the bulb and attaching it to the reflector.



FIGURE 5&6: Inserting the bulb inside the reflector and routing the wires.

**CAUTION:** UNLESS OTHERWISE INDICATED, DO NOT MAKE OR ALTER ANY OPENINGS IN THE COMPARTMENT OF WIRING OR ELECTRICAL COMPONENTS DURING INSTALLATION OF THIS RETROFIT ASSEMBLY. PLUG ALL UNUSED OPENINGS IN THE COMPARTMENT OF WIRING OR ELECTRICAL COMPONENTS/A MOINS D'INDICATION CONTRAIRE, NE PAS PRATIQUER NI MODIFIER DES OUVERTURES DANS LES COMPARTIMENTS CONTENANT DES CABLES OU DES COMPOSANTS ÉLECTRIQUES LORS DE L'INSTALLATION DE CE NÉCESSAIRE DE MODERNISATION. BOUCHER TOUTES LES OUVERTURES LIBRES DES COMPARTIMENTS CONTENANT DES CABLES OU DES COMPOSANTS ÉLECTRIQUES

### STEP 7: Connect the wires from the bulb to the driver as follows:

- Connect the black wire from the light bulb to the black wire on the driver.
- Connect the red wire from the light bulb to the red wire on the driver.

### STEP 8: Return the high/low bay fixture to its original mounting bracket.

### STEP 9: Make the line voltage connections (Figure 7).

### STEP 10: Reattach outer plates and enclose the fixture housing.

### STEP 11: Re-connect power to fixture to test all power connections.

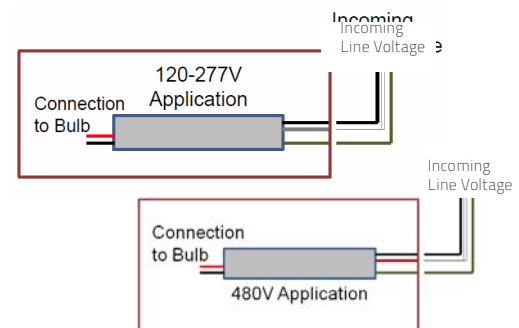


FIGURE 7: Wiring diagram for AC power > LED driver.

# IN-GROUND LIGHTING INSTALLATION INSTRUCTIONS

## READ AND FOLLOW ALL INSTALLATION INSTRUCTIONS

### STEP 1: Disconnect Power

- Disconnect AC power from fixture during installation and maintenance.

### STEP 2: Remove in-ground fixture from its location (Figure 1).

### STEP 3: Unscrew the lens of the housing to access the electrical components (Figure 2). Remove the following from the light fixture:

- Reflector 12
- Light bulb 12
- Lamp base and wire 12



FIGURE 1: In-ground fixture removed from its location.



FIGURE 2: Removing the reflector from the housing.



**CAUTION:** UNLESS OTHERWISE INDICATED, DO NOT MAKE OR ALTER ANY OPENINGS IN THE COMPARTMENT OF WIRING OR ELECTRICAL COMPONENTS DURING INSTALLATION OF THIS RETROFIT ASSEMBLY. PLUG ALL UNUSED OPENINGS IN THE COMPARTMENT OF WIRING OR ELECTRICAL COMPONENTS/A MOINS D'INDICATION CONTRAIRE, NE PAS PRATIQUER NI MODIFIER DES OUVERTURES DANS LES COMPARTIMENTS CONTENANT DES CABLES OU DES COMPOSANTS ÉLECTRIQUES LORS DE L'INSTALLATION DE CE NÉCESSAIRE DE MODERNISATION. BOUCHER TOUTES LES OUVERTURES LIBRES DES COMPARTIMENTS CONTENANT DES CABLES OU DES COMPOSANTS ÉLECTRIQUES

### STEP 4: Make the line voltage connections (Figure 3).

- If the driver does not fit into the enclosure it will be pre-installed at the manufacturing warehouse.

### STEP 5: Install the driver into the enclosure of the fixture housing (Figure 4).

- Depending on the fixture, it may be necessary to drill into the reflector.

### STEP 6: Connect the wires from the bulb to the driver as follows: (Figure 5)

- Connect the black wire from the light bulb to the black wire on the driver.
- Connect the red wire from the light bulb to the gray wire on the driver.

### STEP 7: Insert the bulb into the fixture.

### STEP 8: Reattach the lens to enclose the fixture housing.

### STEP 9: Re-connect power to fixture to test all power connections.

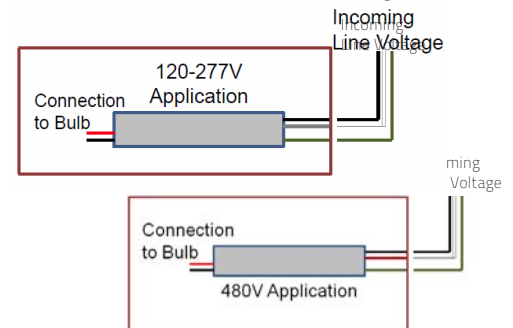


FIGURE 3 Wiring diagram for AC power > LED driver.

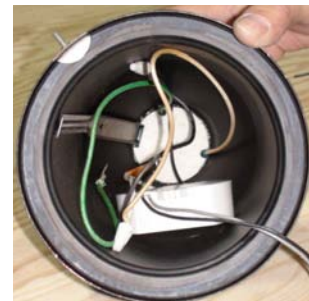


FIGURE 4: Driver installed in fixture.



FIGURE 5: Wires connected from the bulb to the driver.

# ORNAMENTAL LIGHTING INSTALLATION INSTRUCTIONS

## READ AND FOLLOW ALL INSTALLATION INSTRUCTIONS

### STEP 1: Disconnect Power

- Disconnect AC power from fixture during installation and maintenance.

### STEP 2: Remove the lens and existing electrical components, including:

- Light bulb - see page 12
- Lame base - see page 12
- Ballast - see page 12
- Capacitor - see page 12

### STEP 3: Drill a bigger hole in the bottom of the diffuser to fit the All Thread through. Make the hole at least 7/16 of an inch.

**CAUTION:** UNLESS OTHERWISE INDICATED, DO NOT MAKE OR ALTER ANY OPENINGS IN THE COMPARTMENT OF WIRING OR ELECTRICAL COMPONENTS DURING INSTALLATION OF THIS RETROFIT ASSEMBLY. PLUG ALL UNUSED OPENINGS IN THE COMPARTMENT OF WIRING OR ELECTRICAL COMPONENTS/A MOINS D'INDICATION CONTRAIRE, NE PAS PRATIQUER NI MODIFIER DES OUVERTURES DANS LES COMPARTIMENTS CONTENANT DES CABLES OU DES COMPOSANTS ÉLECTRIQUES LORS DE L'INSTALLATION DE CE NÉCESSAIRE DE MODERNISATION. BOUCHER TOUTES LES OUVERTURES LIBRES DES COMPARTIMENTS CONTENANT DES CABLES OU DES COMPOSANTS ÉLECTRIQUES



### STEP 4: Install the light bulb into the diffuser, routing the wires through the center hole (Figure 1).

### STEP 5: Secure the light bulb from the bottom of the diffuser with the bolt from the All Thread (Figure 2).

### STEP 6: Connect the wires from the bulb to the driver as follows: (Figure 3)

- Connect the black wire from the light bulb to the black wire on the driver.
- Connect the red wire from the light bulb to the gray wire on the driver.

### STEP 7: Install the light bulb, diffuser and LED driver into the fixture. Screw the diffuser into the fixture. Replace the lens over the diffuser (Figure 4).

- Due to the different types of ornamentals, the driver is installed various ways. If you are unaware of how to install the driver, please contact your Pre-sales support.

### STEP 8: Using the diagram to the right, make the line voltage connections between the LED driver and power source.

### STEP 9: Return the ornamental fixture to its pole.

### STEP 10: Check all power connections.

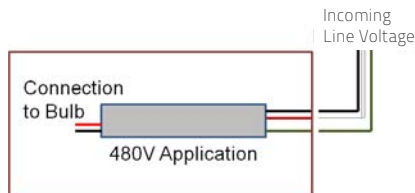
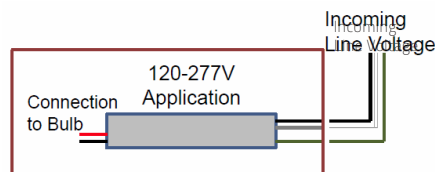


FIGURE 1: Inserting the light bulb into the diffuser.



FIGURE 2: Securing the light bulb with a nut.



FIGURE 3: Connecting driver to light bulb.



FIGURE 4: Installing the light bulb, diffuser, and driver.

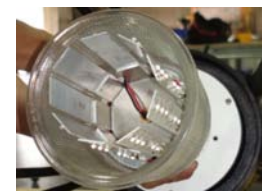


FIGURE 5: Screwing the diffuser into the fixture and replacing the lens over it.



# PARKING LOT LIGHTING INSTALLATION INSTRUCTIONS

## READ AND FOLLOW ALL INSTALLATION INSTRUCTIONS

### STEP 1: Disconnect Power

- Disconnect AC power from fixture during installation and maintenance.

### STEP 2: Unscrew the cover of the parking lot fixture (Figure 1). Remove the reflector and existing electrical components from the light fixture.

- Light bulb - see page 12
- Lamp base - see page 12
- Transformer - see page 12
- Capacitor - see page 12

### STEP 3: Screw the light bulb mounting brackets into the fixture (Figure 2).

**Note:** if your light bulb did not come with mounting brackets ignore this step and move on to STEP 4.

- It may be necessary to drill and tap holes inside the fixture for the brackets if not already present. Do not drill holes through any exterior surface, so that the fixture remains suitable for wet locations.

**CAUTION:** UNLESS OTHERWISE INDICATED, DO NOT MAKE OR ALTER ANY OPENINGS IN THE COMPARTMENT OF WIRING OR ELECTRICAL COMPONENTS DURING INSTALLATION OF THIS RETROFIT ASSEMBLY. PLUG ALL UNUSED OPENINGS IN THE COMPARTMENT OF WIRING OR ELECTRICAL COMPONENTS/A MOINS D'INDICATION CONTRAIRE, NE PAS PRATIQUER NI MODIFIER DES OUVERTURES DANS LES COMPARTIMENTS CONTENANT DES CABLES OU DES COMPOSANTS ÉLECTRIQUES LORS DE L'INSTALLATION DE CE NÉCESSAIRE DE MODERNISATION. BOUCHER TOUTES LES OUVERTURES LIBRES DES COMPARTIMENTS CONTENANT DES CABLES OU DES COMPOSANTS ÉLECTRIQUES



FIGURE 1: Opening cover for parking lot fixture to remove reflector and electrical components



FIGURE 2: Brackets that are installed in head of fixture to support the light bulb.

### STEP 4: Make the line voltage connections (Figure 3).

### STEP 5: Screw the light bulb into the fixture. Use the existing reflector holds or the mounting bracket holes (Figure 4).

- It may be necessary to drill and tap holes inside the fixture if holes from the reflector are not already present. Do not drill holes through any exterior surface, so that the fixture remains suitable for wet locations.

### STEP 6: Screw the cover back into the light fixture.

### STEP 7: Re-energize fixture to check all power connections.

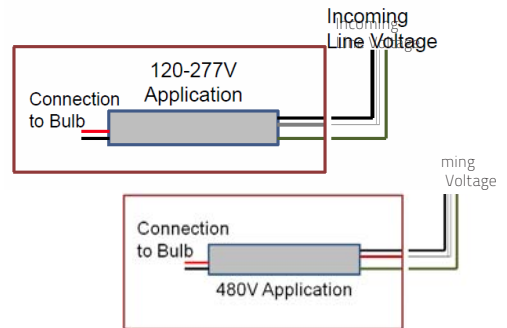


FIGURE 3 Wiring diagram for AC power > LED driver.



FIGURE 4: Inserting the bulb into the fixture.



# WALLPACK LIGHTING INSTALLATION INSTRUCTIONS

## READ AND FOLLOW ALL INSTALLATION INSTRUCTIONS

### STEP 1: Disconnect Power

- Disconnect AC power from fixture during installation and maintenance.

### STEP 2: Unscrew the cover of the parking lot fixture (Figure 1). Remove the reflector and existing electrical components from the light fixture.

- Light bulb - see page 12
- Lamp base - see page 12
- Transformer - see page 12
- Capacitor - see page 12
- Reflector - (Note: reflector may be reinstated with LED light bulb. Contact Noribachi if you are not aware of which procedure you are to follow).

### STEP 3: Install the LED driver into the wall pack fixture housing. Use the existing bracket that secured the capacitor or screw the driver directly into the fixture housing (Figure 2).

- If the driver is attached to the back of the light bulb, skip this step and move on to STEP 4.
- WARNING: Do not drill holes through any exterior surface, so that the fixture remains suitable for wet locations.

**CAUTION:** UNLESS OTHERWISE INDICATED, DO NOT MAKE OR ALTER ANY OPENINGS IN THE COMPARTMENT OF WIRING OR ELECTRICAL COMPONENTS DURING INSTALLATION OF THIS RETROFIT ASSEMBLY. PLUG ALL UNUSED OPENINGS IN THE COMPARTMENT OF WIRING OR ELECTRICAL COMPONENTS/A MOINS D'INDICATION CONTRAIRE, NE PAS PRATIQUER NI MODIFIER DES OUVERTURES DANS LES COMPARTIMENTS CONTENANT DES CABLES OU DES COMPOSANTS ÉLECTRIQUES LORS DE L'INSTALLATION DE CE NÉCESSAIRE DE MODERNISATION. BOUCHER TOUTES LES OUVERTURES LIBRES DES COMPARTIMENTS CONTENANT DES CABLES OU DES COMPOSANTS ÉLECTRIQUES



### STEP 4: Make the line voltage connections between the LED driver and the power source (Figure 3).

### STEP 5: Connect the LED driver wires to the light bulb as follows (Figure 4):

- Connect the black wire from the light bulb to the black wire on the LED driver.
- Connect the red wire from the light bulb to the grey wire on the LED driver.

### STEP 6: Screw the light bulb into the reflector and then the wall pack fixture housing using the existing reflector holes. If the reflector is not being used, screw the light bulb into the wall pack fixture housing using the existing reflector holes. (Figure 5).

- It may be necessary to drill and tap holes inside the fixture if holes from the reflector are not already present. Do not drill holes through any exterior surface, so that the fixture remains suitable for wet locations.

### STEP 7: Screw the cover back into the wall pack fixture housing.

### STEP 8: Re-energize fixture to check all power connections.

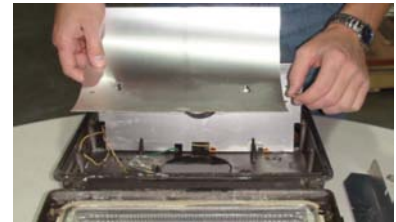


FIGURE 1: Removing the reflector and electrical components.



FIGURE 2: Installing the LED driver into the wall pack fixture housing.

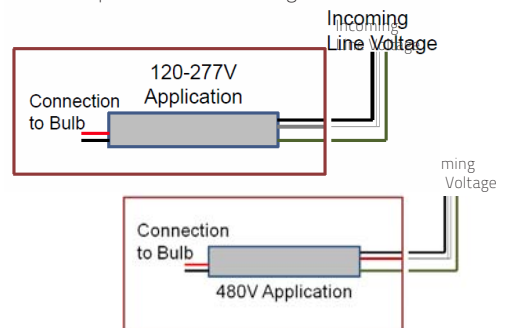


FIGURE 3 Wiring diagram for AC power > LED driver.



FIGURE 4: Connecting the LED driver wires to the LED light bulb.



FIGURE 5: Screwing the light bulb into the wall pack housing.

# SPECIALTY INSTALLATION INSTRUCTIONS

## READ AND FOLLOW ALL INSTALLATION INSTRUCTIONS

### STEP 1: Disconnect Power

- Disconnect AC power from fixture during installation and maintenance.

### STEP 2: Unscrew the cover of the parking lot fixture (Figure 1). Remove the reflector and existing electrical components from the light fixture.

- Light bulb - see page 12
- Lamp base - see page 12
- Transformer - see page 12
- Capacitor - see page 12

### STEP 3: Remove the parking lot fixture from the top of the pole and lower to the ground.

### STEP 4: Screw the light bulb mounting brackets into the fixture. Note: if your light bulb did not come with mounting brackets ignore this step and move on to STEP 5.

- It may be necessary to drill and tap holes inside the fixture if holes from the reflector are not already present. Do not drill holes through any exterior surface, so that the fixture remains suitable for wet locations.

### STEP 5: Screw the light bulb into the fixture. Use existing reflector holes or the mounting bracket holes (Figure 2):

- It may be necessary to drill and tap holes inside the fixture if holes from the reflector are not already present. Do not drill any holes through the exterior surface, so that the fixture remains suitable for wet locations.



**CAUTION:** UNLESS OTHERWISE INDICATED, DO NOT MAKE OR ALTER ANY OPENINGS IN THE COMPARTMENT OF WIRING OR ELECTRICAL COMPONENTS DURING INSTALLATION OF THIS RETROFIT ASSEMBLY. PLUG ALL UNUSED OPENINGS IN THE COMPARTMENT OF WIRING OR ELECTRICAL COMPONENTS / A MOINS D'INDICATION CONTRAIRE, NE PAS PRATIQUER NI MODIFIER DES OUVERTURES DANS LES COMPARTIMENTS CONTENANT DES CABLES OU DES COMPOSANTS ÉLECTRIQUES LORS DE L'INSTALLATION DE CE NÉCESSAIRE DE MODERNISATION. BOUCHER TOUTES LES OUVERTURES LIBRES DES COMPARTIMENTS CONTENANT DES CABLES OU DES COMPOSANTS ÉLECTRIQUES

### STEP 6: Install the battery enclosure.

- The location of the battery enclosure is determined at the field and is based on aesthetics and security of the box.
- It may be necessary to drill and tap holes in the battery enclosure to attach it to the pole and run wires through.

### STEP 7: Attach solar panel to the neck of the pole with the solar mounting bracket (see item 5 on second page of specialty installation instructions). Use the same holes in the neck of the pole that the fixture head attached to (Figure 3).

- Run the wires from the solar panel through the neck of the pole.

### STEP 8: Reinstall fixture head below the solar panel (Figure 4).



FIGURE 1: Opening cover for parking lot fixture to remove reflector and electrical components



FIGURE 2: Brackets that are installed in head of fixture to support the light bulb.



FIGURE 3: Attaching solar panel to pole.



FIGURE 4: Attaching the fixture to the pole.

# SPECIALTY INSTALLATION INSTRUCTIONS

## READ AND FOLLOW ALL INSTALLATION INSTRUCTIONS

**STEP 9:** Using the detailed wiring diagram for reference, connect two of the designated wires from the ULC to the solar panel unit. (Figure 6 & 7)

- Connect the red wire from the ULC to the solar panel + wire.
- Connect the black wire from the ULC to the solar panel - wire.

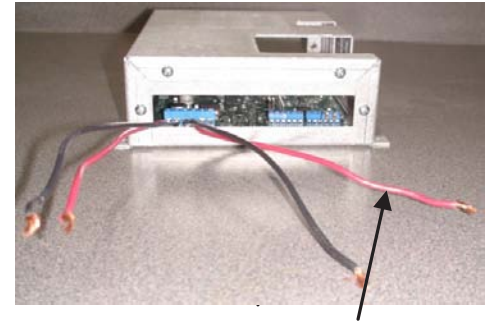
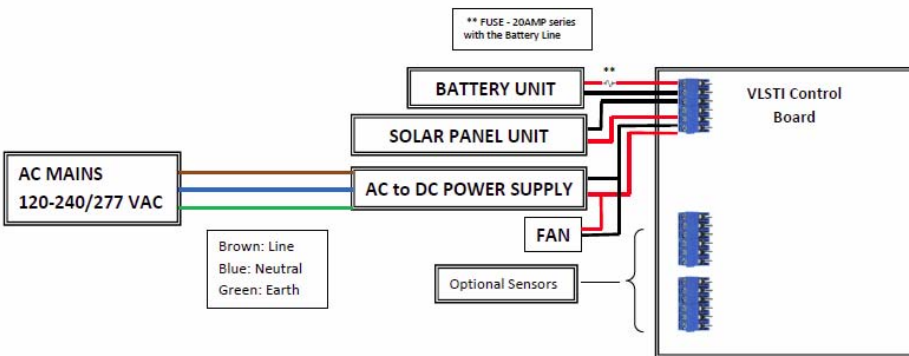


FIGURE 6: Wires on the right of the ULC to be connected with solar panel unit.



FIGURE 7: Wires on the left from the ULC that need to be connected to the solar panel.

**STEP 10:** Disconnect the fuse from the fuse holder. (The fuse will be reinstalled back into the fuse holder in STEP 12). Connect one end of the fuse holder to the plus terminal of the battery (Figure 8).

**STEP 11:** Connect a black wire from the battery minus terminal to the black wire of the ULC. Connect a red wire from the fuse holder to the red wire of the ULC (Figure 9).

**STEP 12:** Reinsert the use into the fuse holder.

**STEP 13:** Make the line voltage connections (Figure 6):

**STEP 14:** Screw the cover back into the light fixture. Check all wiring connections.

**STEP 15:** Re-energize fixture.



FIGURE 8: Connecting one end of the fuse holder to the battery.

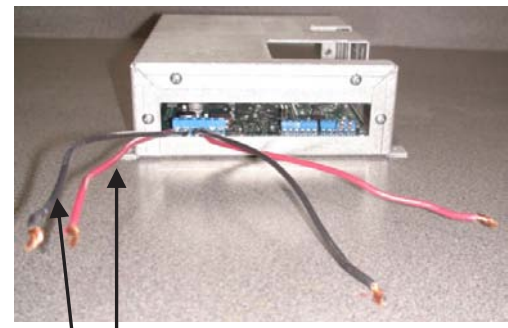


FIGURE 9: Wires on the left of the ULC to be connected to the batter.

# CUSTOM BULB LIGHTING INSTALLATION INSTRUCTIONS

## COMPONENTS OF INSTALLATION PROCESS



DRIVER



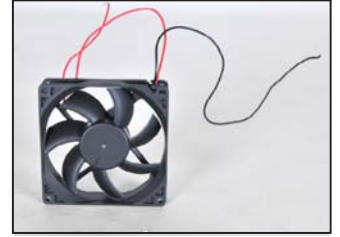
LINEAR CLU



HEXAGONAL CLU



BATTERY BOX



FAN



HEX.1 LIGHT BULB EX-  
AMPLE



TRANSFORMER